



May 29, 2026

To Whom It May Concern:

The City of Sumter is soliciting **SEALED** bids for the items listed on page 8 of the attachment. Please list the cost of each item separately. Delivery charges and taxes will also be listed separately. All bids ***MUST*** be received by the Procurement Department on or before **Monday, June 15, 2026 at 2:00 PM / ET** in the City of Sumter Opera House. **SEALED** Bids may be mailed, overnight or hand delivered (Address is on page 2). Bids that are e-mailed or faxed will be deemed unresponsive and rejected.

**Quantity**                      **Size/Description/Specs/Details**

\*PLEASE SEE ATTACHMENT FOR QUANTITIES, DESCRIPTION, DETAILS AND SPECIFICATIONS.

\*ALL BIDS MUST SPECIFY PER UNIT COST WHEN SHOWN IN SPECIFICATIONS, IF APPLICABLE. DO NOT PROVIDE LUMP SUM ONLY IF YOU CAN PROVIDE UNIT COST.

\*ALL DEVIATIONS FROM REQUESTED SPECIFICATIONS MUST BE CLEARLY NOTED ON BID RESPONSE.

\*ALL PRICES QUOTED WILL REMAIN VALID FOR ONE YEAR (1 JULY 2026 – 30 JUNE 2027)

**The bid AITB number and name must appear on the envelope.** Please email questions concerning specifications/items via email to Willie Price: [wprice@sumtersc.gov](mailto:wprice@sumtersc.gov). If you have questions concerning the bid process, email David Ferrell: [dferrell@sumtersc.gov](mailto:dferrell@sumtersc.gov).

Sincerely,

David Ferrell  
Asset and Operations Manager



**CITY OF SUMTER BID FORM**

**City of Sumter, South Carolina, a Body Politic and Corporate and Political Subdivision of the State of SC  
ANNUAL INVITATION-TO-BID: AITB #2 – 26/27 (REBID)**

**NAME OF BID: Used Dumpster Repairs and Restoration (FY 2027)**

**BID MUST BE RECEIVED BY: Monday, June 15, 2026 at 2:00 pm / ET at below address.**

City of Sumter Public Works Complex  
Attention: Procurement Dept.  
303 E. Liberty St.  
Sumter, SC 29150

**BID: AITB #2-26/27 REBID - Used Dumpster Repairs and Restorations (FY 2027)  
(The bid AITB number and name must appear on the envelope)**

**Quantity      Size/Description/Specs/Details**

\*PLEASE SEE ATTACHMENT (PG. 8) FOR QUANTITIES, DESCRIPTION, DETAILS AND SPECIFICATIONS.

\*ALL PRICES QUOTED WILL REMAIN VALID FOR ONE YEAR (1 JULY 2025 – 30 JUNE 2026).

**DELIVERY WILL BE MADE IN \_\_\_\_\_ DAYS AFTER RECEIPT OF ORDER**

**Delivery To: City of Sumter Sanitation Department  
303 E. Liberty St.  
Sumter, SC 29150**

**VENDOR NAME:** \_\_\_\_\_

**ADDRESS:** \_\_\_\_\_

**CITY-STATE-ZIP:** \_\_\_\_\_

**TELEPHONE NO:** \_\_\_\_\_ **EMAIL:** \_\_\_\_\_

**FEDERAL ID (TAX ID) NO:** \_\_\_\_\_

**AUTHORIZED SIGNATURE (WRITTEN):** \_\_\_\_\_

**AUTHORIZED SIGNATURE (PRINT):** \_\_\_\_\_ **DATE** \_\_\_\_\_

I certify that this bid is made without prior understanding, agreement, or connection with any corporation, firm, or person submitting a bid for the same materials, supplies, or equipment, and is in all respects fair and without collusion or fraud. I agree to abide by all conditions of this bid and verify that I am authorized to sign this bid for the offerer. I further state that the company affiliated with this bid currently complies with all applicable federal and state laws and directives relative to non-discriminatory practices in employment.

The Bidder, in compliance with your Invitation-To-Bid, and having read and understood the Project Documents, and being familiar with all of the conditions surrounding the proposed project, including the availability of materials, labor, and work site environmental conditions, hereby proposes to furnish all permits, labor, materials, supplies, and equipment and to perform the duties in accordance with the contract documents of which this Bid Form is a part.

The undersigned, as Bidder, hereby declares that the only person or persons interested in the Bid as principal(s) is, or are, named herein and that no other person has any interest in the Bid or in the contract to be entered into; that this Bid is made without connection with any other person, company or parties making a bid; and that is in all respects fair and in good faith without collusion or fraud.

The Bidder further proposes and agrees, if this Bid is accepted, to contract with City of Sumter, to furnish all permits, materials, equipment, tools, apparatus, means of transportation, removal, over head, profit insurance, taxes, and other such costs both indirect and direct, and labor necessary hereto, and to complete the proposed project in full and complete accordance with the Project Documents, to the full and entire satisfaction of the Owner, at the prices listed in the Bid Schedule.

Unit prices and/or lump sums are shown in the Bid Schedule section below. **In case of error in extension, the Unit Price shall govern rather than the Amount. Where Lump Sum Amounts are bid, the amount for each bid item shall govern rather than the total of any several items.**

#### **NOTIFICATION OF PRICE ADJUSTMENTS:**

Unit prices offered shall remain firm throughout the term of the contract. Any request for price adjustment, with proper documented justification, shall be submitted in writing to the City of Sumter two weeks prior to the requested date of the price adjustment and will only take effect after the awardee has received written acceptance of price adjustment from the City of Sumter. Any price adjustment invoiced without prior written approval from the City of Sumter shall not be paid and the invoice returned to the awardee for correction. Price adjustments shall be made in good faith with awardees and the City. The City of Sumter reserves the right to reject any price adjustments and cancel the renewal of any contract containing unaccepted increase in prices. NOTE: Price adjustments must be proven and out of the ordinary for contracts one year or less.

#### **VENDOR AGREEMENTS**

City of Sumter reserves the right to obtain clarification or additional information necessary to properly evaluate a bid. Failure of vendor to respond to a request for additional information or clarification could result in rejection of that vendor's bid. City of Sumter reserves the right to award proposals received on the basis of individual items, groups of items, or the entire list of items; to reject any and all proposals in whole or in part, and to waive any technicalities. In every case, the City reserves the right to make awards deemed to be in the best interest of the City and to negotiate further the offer determined by the City to be in the best interest of the City. **City of Sumter also reserves the right to make purchases outside of the awarded contracts where it is deemed in the best interest of the City.**

Each responder, by submitting a bid to the City of Sumter a result of this Invitation-to-Bid, agrees to and acknowledges its acceptance of and agreement with the procedures outlined herein and all terms, conditions and requirements of the applicable City of Sumter Bid documents. If a vendor cannot agree to these terms, or violates these procedures, the response will be judged non-responsive and not considered. If the procedures are violated during the evaluation process or prior to the issuance of a contract by the City of Sumter, the offer of the firm in question will be void and City of Sumter will procure the goods/services in question from other eligible vendors.

Responses submitted are final and complete offers by the vendor. No additions, corrections, modifications, changes or interpretations will be allowed. In the event questions arise on what is meant by an offer, the Procurement Manager will make a determination as to the city's interpretation of the vendor's offer. If, after informing the vendor of the city's opinion, disagreement as to scope of the offer is present, the offer will be declared void.

Unit prices will govern over extended prices. Prices must be stated per unit and extended for the total quantity. Sales, use, or excise tax, as well as any handling and shipping charges, must be shown as separate items.

Responders must clearly mark as “Confidential” each part of their offer which they consider proprietary information that could be exempt from disclosure under Section 30-4-40, Code of Laws of South Carolina, 1976 as amended (Freedom of Information Act). If any part is designated as “confidential”, there must be attached to that part an explanation of how this information fits within one or more categories listed in Section 30-4-40. City of Sumter reserves the right to determine whether this information should be exempt from disclosure and no legal action may be brought against City of Sumter or its agents for its determination in this regard

The Owner reserves the right to increase or decrease the amount of work under the Contract at the unit prices quoted in the bid received from the successful responder.

The responder’s attention is directed to the fact that all applicable Federal, State and Local laws, statutes, ordinances, and the rules and regulations of all authorities having jurisdiction over the project shall apply to the contract and the project throughout, and they will be deemed to be included in the contract the same as though herein written out in full.

The Responder agrees to secure at Responder’s own expense all personnel necessary to carry out Responder’s obligations under this Bid. Such personnel shall not be deemed to be employees of the City nor shall they or any of them have or is deemed to have any direct contractual relationship with the City. Responder shall obtain and maintain all licenses and permits required by law for performance of this contract by him.

Upon award of the contract or Purchase Order, the bidder shall maintain, throughout the performance of its obligations a policy of Worker’s Compensation insurance with such limits as may be required by SC law, and a policy or policies of general liability insurance insuring against liability for injury to, and death of, persons and damage to, destruction of, property arising out of, or based upon, any act or omission of the bidder or any of its subcontractors of their respective officers, directors employees or agents.

Such liability insurance shall have limits sufficient to cover any loss or potential loss resulting from this contract. City of Sumter must be listed as additional insured.

The certificate must allow a minimum of a 30 day written notice of cancellation. Bidder shall provide a Certificate of Insurance to the City of Sumter Procurement offices prior to start of work.

The bidder shall satisfy itself as to the actual requirements of the bid by personal examination of its location or other means, so as to enable the bidder to make an informed bid. Failure to do so shall not relieve the successful bidder of its obligation to furnish all materials, products, and/or labor necessary to complete the provision of the awarded contract and failure to do so may result in the claims against bonds. No allowance will be made for any claims that a bid and/or response was based on incomplete information as to the nature and character of the sites and of the work involved.

The responder shall indemnify, defend and hold harmless City of Sumter, its officers, agents and employees from liability and any claims, suits, judgments, and damages of any nature brought because of, arising out of, or due to breach of the agreement by Responder, its subcontractors, suppliers, agents, or employees or due to any negligent act or occurrence or any omission or commission of Responder, its subcontractors, suppliers, agents, or employees.

The successful responder shall indemnify and hold harmless the City of Sumter, its officers, agents and employees from all suits or claims of any character resulting from patent, trademark or copyright infringement or accidents/injury at any point in the delivery of goods/services.

Should any responder fail to perform or comply with any provision or terms and conditions of any documents referenced and made part hereof, City of Sumter may terminate this contract, in whole or in part, and may consider such failure or non compliance a breach/default of contract.

City of Sumter may terminate this agreement with or without cause at anytime. In the event of termination by either party, uncontested fees due for services satisfactorily performed or goods accepted prior to the termination shall be paid.

Upon award of a contract or Purchase Order under this bid, the person, partnership, association, or corporation to whom the award is made must comply with the laws of South Carolina, which require such person or entity to be authorized and/or licensed to do business in this state. Notwithstanding the fact that applicable statutes may exempt or exclude the successful responder from requirements that it be authorized and/or licensed to do business in this state, by submission of this signed proposal, the responder agrees to subject itself to the jurisdiction and process of the courts of the State of South Carolina, to all matters and disputes arising or to arise under the contract and performance thereof, including any questions as to the liability for taxes, licenses, or fees levied by the State.

Upon award of the contract or Purchase Order, the bidder shall maintain, throughout the performance of its obligations a policy of Worker's Compensation insurance with such limits as may be required by SC law, and a policy or policies of general liability insurance insuring against liability for injury to, and death of, persons and damage to, destruction of, property arising out of, or based upon, any act or omission of the bidder or any of its subcontractors of their respective officers, directors employees or agents. Such liability insurance shall have limits sufficient to cover any loss or potential loss resulting from this contract. City of Sumter must be listed as additional insured. The certificate must allow a minimum of a 30 day written notice of cancellation. Bidder shall provide a Certificate of Insurance to the City of Sumter Procurement office prior to start of work.

The bidder shall satisfy itself as to the actual requirements of the bid by personal examination of its location or other means, so as to enable the bidder to make an informed bid. Failure to do so shall not relieve the successful bidder of its obligation to furnish all materials, products, and/or labor necessary to complete the provision of the awarded contract and failure to do so may result in the claims against bonds.

No allowance will be made for any claims that a bid and/or response was based on incomplete information as to the nature and character of the sites and of the work involved.

The responder shall indemnify, defend and hold harmless City of Sumter, its officers, agents and employees from liability and any claims, suits, judgments, and damages of any nature brought because of, arising out of, or due to breach of the agreement by Responder, its subcontractors, suppliers, agents, or employees or due to any negligent act or occurrence or any omission or commission of Responder, its subcontractors, suppliers, agents, or employees.

The successful responder shall indemnify and hold harmless the City of Sumter, its officers, agents and employees from all suits or claims of any character resulting from patent, trademark or copyright infringement or accidents/injury at any point in the delivery of goods/services.

Should any responder fail to perform or comply with any provision or terms and conditions of any documents referenced and made part hereof, City of Sumter may terminate this contract, in whole or in part, and may consider such failure or non compliance a breach/default of contract.

City of Sumter may terminate this agreement with or without cause at anytime. In the event of termination by either party, uncontested fees due for services satisfactorily performed or goods accepted prior to the termination shall be paid.

Upon award of a contract or Purchase Order under this bid, the person, partnership, association, or corporation to whom the award is made must comply with the laws of South Carolina, which require such person or entity to be authorized and/or licensed to do business in this state. Notwithstanding the fact that applicable statutes may exempt or exclude the successful responder from requirements that it be authorized and/or licensed to do business in this state, by submission of this signed proposal, the responder agrees to subject itself to the jurisdiction and process of the courts of the State of South Carolina, to all matters and disputes arising or to arise under the contract and performance thereof, including any questions as to the liability for taxes, licenses, or fees levied by the State.

**APPLICABLE FOR WORK PERFORMED ON-SITE AT ANY CITY OF SUMTER PROPERTY:**

**Contractor's and Subcontractor's Insurance:** Before commencing the Work, and until completion and final acceptance of the Work, the Contractor shall procure and maintain, at its own expense, the insurance coverages described below. Before starting the Work, Contractor shall furnish a Certificate of Insurance, in a form acceptable to Owner, evidencing the Contractor's compliance with the Agreement's insurance requirements. All insurance policies are to be written through a company duly authorized to transact that class of insurance within the jurisdiction of the Project site and shall be with insurance companies acceptable to Owner and with A.M. Best Rating of A minus or better. The Certificates and policies for the Commercial General Liability and Business Automobile Liability Policy shall name Owner, and if requested, Owner's agents, as Additional Insureds for completed and ongoing operations on a primary and non-contributory basis. All Insurance Certificates shall state policy numbers, dates of expiration, policy limits, and provide that the insurance will not be cancelled or changed unless Owner has been given written notice at least thirty (30) days prior to the date of the proposed change or cancellation.

If the Contractor fails to procure or maintain required insurance coverages, Owner shall have the right, but not the obligation, to procure and maintain the required insurance for and in the name of the Contractor, and Contractor shall pay the cost thereof and furnish all necessary information to make effective and maintain such insurance. Contractor shall not commence work until all insurance requirements are met.

a. Required Insurance Coverages: The insurance coverages to be provided include those as set forth below unless modified in an Insurance Exhibit attached to the Agreement:

(1) Commercial General Liability Insurance with limits of \$1,000,000.00 per occurrence/\$1,000,000 aggregate Bodily Injury and Property Damage Liability. This coverage must, at a minimum, include coverage and/or endorsements for premises operations, products/completed operations, contractual liability assumed by Contractor under this Agreement, personal injury, advertising injury and broad form Property Damage (including coverage for explosion, collapse and underground hazards), and independent Contractor coverages. All liability policies must be written on an "occurrence" basis. Such policy shall not contain Endorsement, CG 22 94 10 01. The Commercial General Liability and Automobile Liability insurance required herein shall protect the Contractor and the Owner against liability from damages growing out of any Contractor operations (including the operation of all automobiles, trucks, and other vehicles owned or rented) in connection with the performance of this Agreement, as well as liability arising after the completion of the Contractor's operations.

(2)

Motor Vehicle Liability Insurance with bodily injury limits of \$1,000,000.00 and property damage limits of \$1,000,000.00 or a combined single limit of \$1,000,000.00.

(3) Worker's Compensation in accordance with, and providing coverages meeting or exceeding the limits required by, the laws of the State of South Carolina jurisdiction, and Employer's Liability Insurance with the following minimum limits: \$100,000 Per Accident, \$100,000 Per Disease for Each Employee, \$500,000 aggregate.

(4) Excess or Umbrella Liability Insurance with a policy limit of \$1,000,000.00 per occurrence and aggregate.

(5) Sub-Contractor Insurance: If Contractor elects, with Owner's approval, to subcontract any portion of the Work to another Contractor, Contractor shall require of such Subcontractor insurance coverage similar to that required of Contractor hereunder and shall furnish to Owner evidence that such insurance coverages are currently in effect. Moreover, Contractor shall require any such Subcontractor to name Contractor and Owner as additional insureds on Subcontractor's Commercial General Liability Insurance and will provide Contractor with a waiver of subrogation form from such sub-Contractors worker's compensation carrier. Failure of Contractor to require Subcontractor to obtain the coverages required herein or to furnish Owner evidence of such coverage shall be grounds for termination for default.

b. The Contractor shall furnish one copy of each Certificate of Insurance herein required attached to each copy of the Agreement, plus three additional copies of each Certificate of Insurance herein required, which shall specifically set forth evidence of all coverages set forth above. The Contractor shall furnish to the Owner copies of any endorsements that are subsequently issued amending coverage or limits.

(6) All proof of insurance must be on an **ACORD CERTIFICATE OF INSURANCE**.

**ATTACHMENT:**

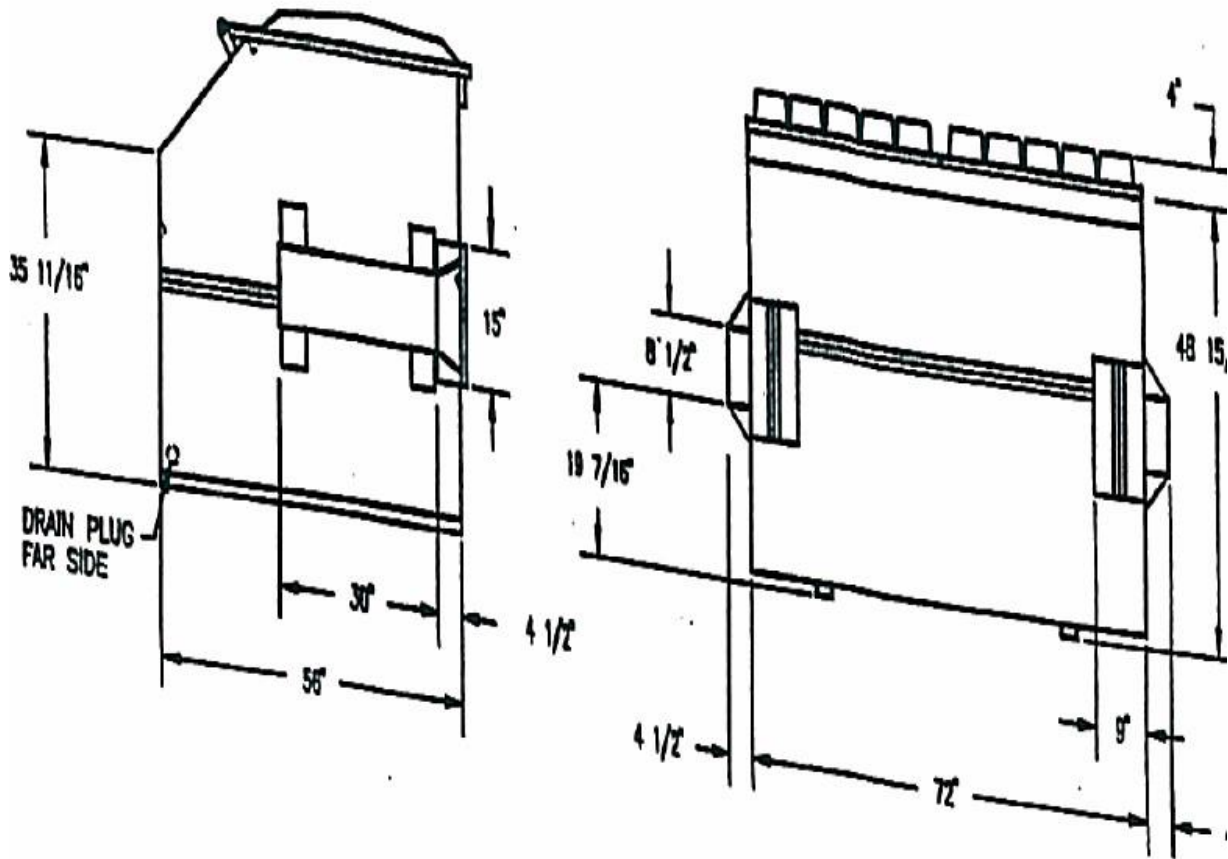
**DUMPSTER REPAIRS & RESTORATIONS (FY 2027)**

QTY	DESCRIPTION / SPECIFICATIONS	Unit Price	Total Price
10	4 Cubic Yard Dumpsters: Includes all labor and materials for removing stickers, sanding and painting.		
10	8 Cubic Yard Dumpsters: Includes all labor and materials for removing stickers, sanding and painting.		
25	Bottom Installation for 4 yard dumpster: Remove old bottom and replace with new bottom. Price to include labor, welding, sanding and painting and all material needed for repairs.		
25	Bottom Installation for 8 yard dumpster: Remove old bottom and replace with new bottom. Price to include labor, welding, sanding and painting and all material needed for repairs.		
1	Cost to sand and paint exterior of a 20 cubic yard trash trailer. Painting to include all material, labor and equipment needed to complete the job.		
As Needed	Cost per Plastic lids installed. Sizes: 30" x 30"		
As Needed	36" x 46"		
As Needed	36" x 58"		
	Rate per Hour for Major Repairs. LABOR ONLY		
	Rate per Hour for Minor Repairs. LABOR ONLY		
	TOTAL		

**\*Materials to be provided by the Vendor.**

**\*Vendor will be responsible for shipment, delivery, and on-site placement of any material needed for repairs.**

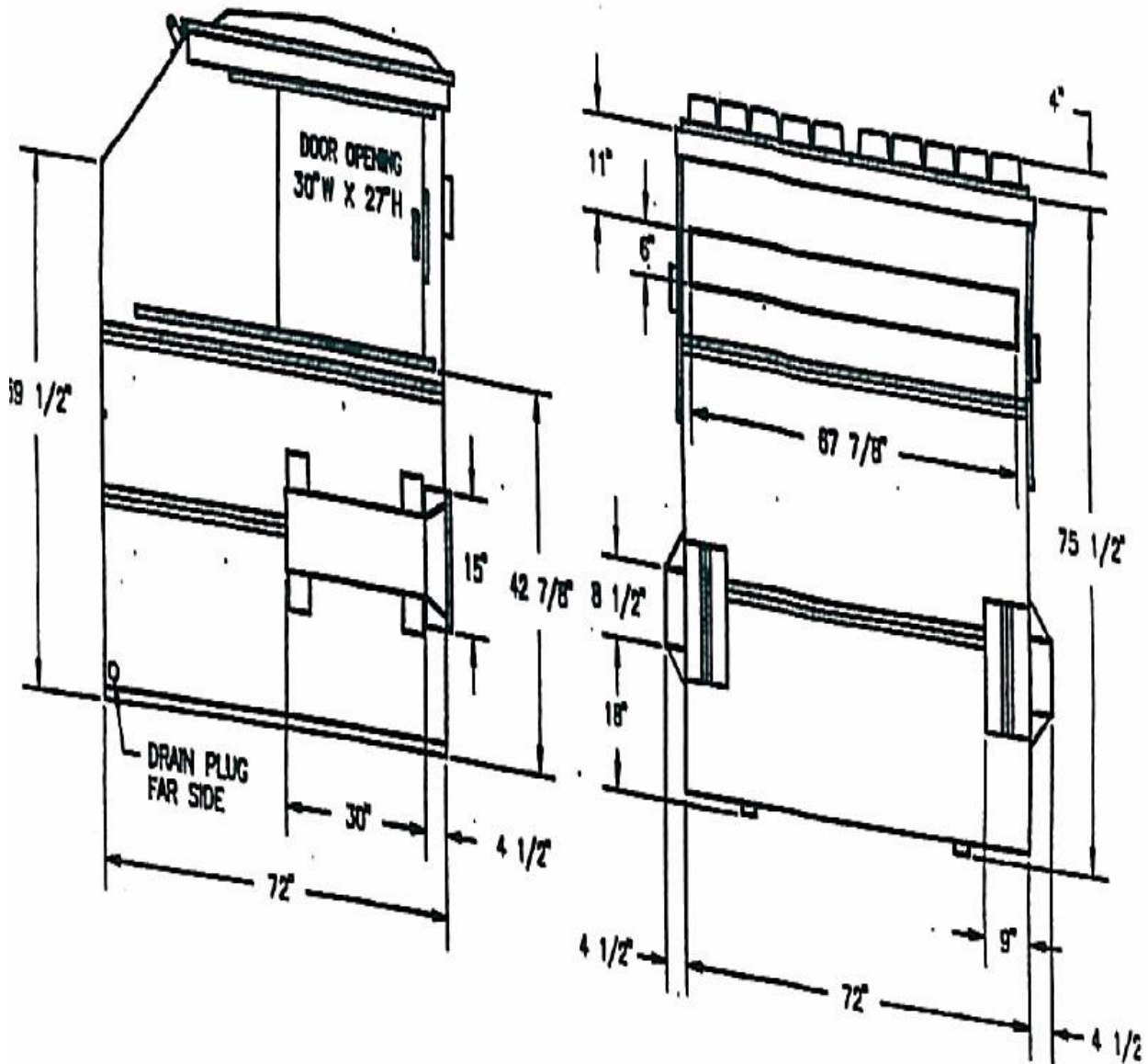
# 4 YARD SLOPE BACK



## MATERIAL SPECIFICATIONS:

- SIDES 12 GA.
- BOTTOM 10 GA.
- SLEEVES 7 GA.
- TOP CHANNEL & RUNNERS C3 X

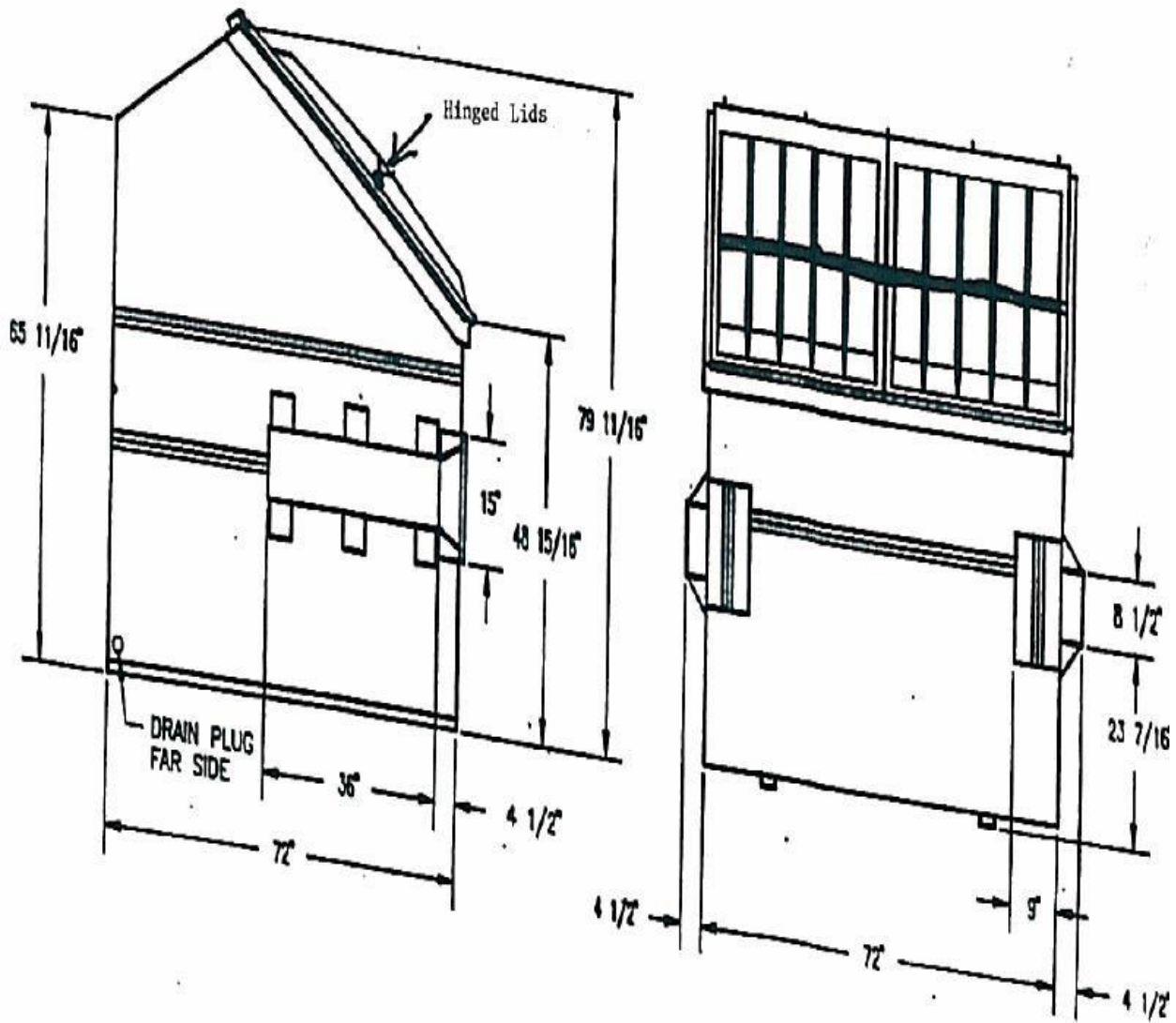
# 8 YARD RECYCLE



MATERIAL SPECIFICATIONS:

- SIDES 12 GA.
- BOTTOM 10 GA.
- SLEEVES 7 GA.
- TOP CHANNEL & RUNNERS C3 X

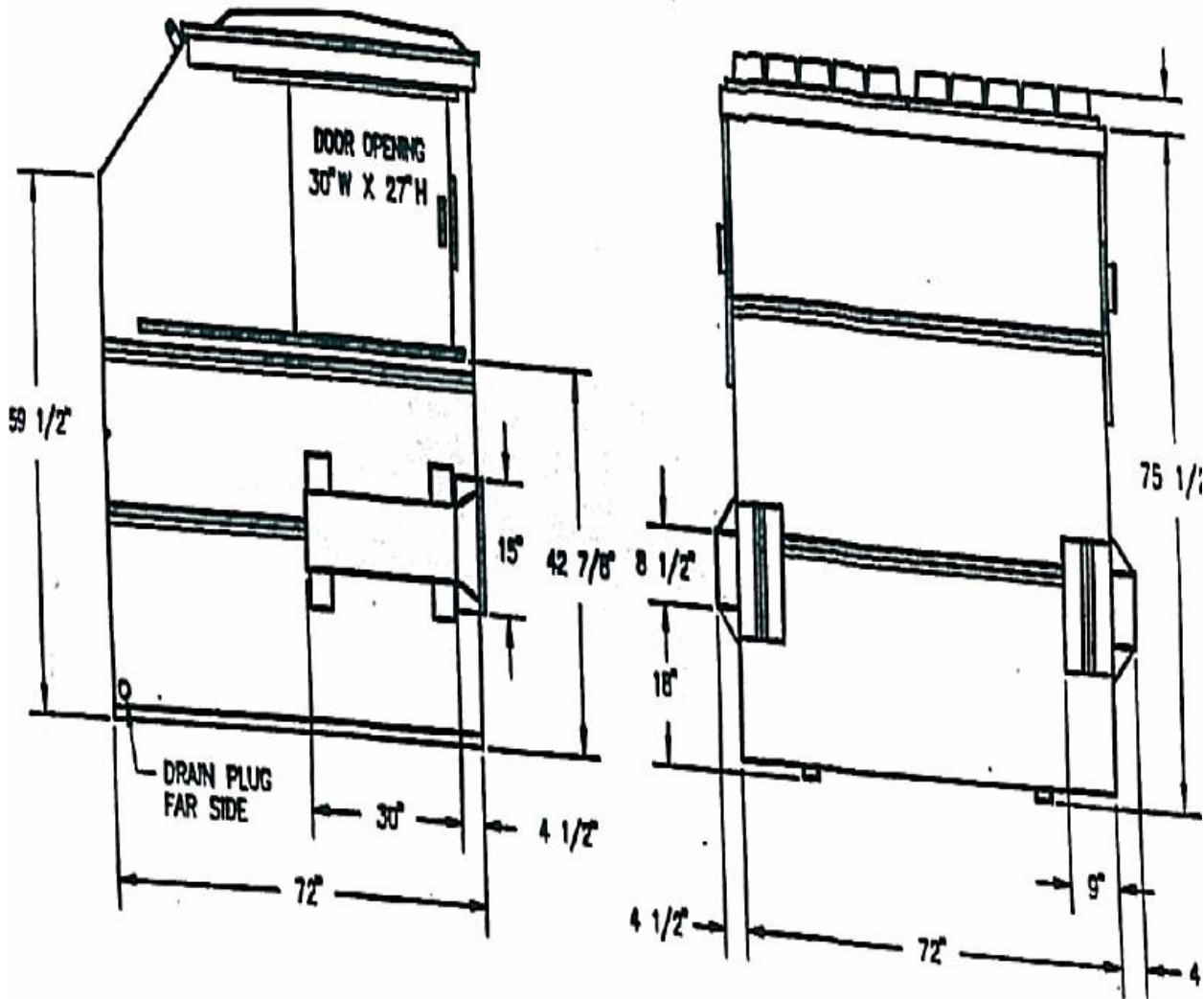
# 8 YARD SLANT



## MATERIAL SPECIFICATIONS:

- SIDES 12 GA.
- BOTTOM 10 GA.
- SLEEVES 7 GA.
- TOP CHANNEL & RUNNERS C3 X

# 8 YARD UPRIGHT (SLOPE BACK)



## MATERIAL SPECIFICATIONS:

- SIDES 12 GA.
- BOTTOM 10 GA.
- SLEEVES 7 GA.
- TOP CHANNEL & RUNNERS C3 X